

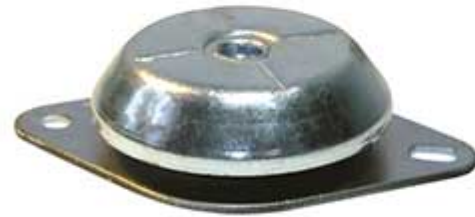
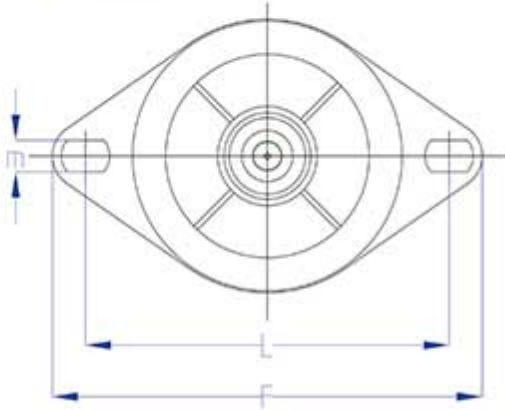
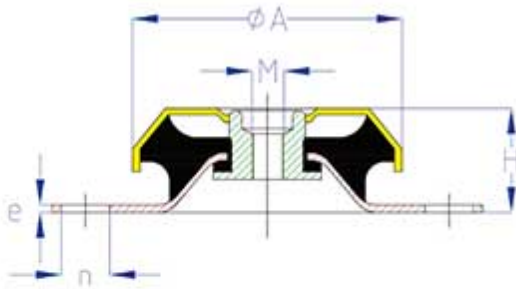
SCC_DE

	REF / ART.NR		ABMESSUNGEN								DRUCKBELASTUNG	
		Sh	ØA	H	L	M	F	e	m	n	LAST	FEDERWEG
			mm.								kg.	mm.
SCC	SCC080M10NR35	35	83	36	110	M-10	135	3	11,5	15	80	4,5±1,0
	SCC080M10NR45	45	83	36	110	M-10	135	3	11,5	15	130	4,5±1,0
	SCC080M10NR60	60	83	36	110	M-10	135	3	11,5	15	175	4,5±1,0
	SCC080M10NR75	75	83	36	110	M-10	135	3	11,5	15	230	3,5±1,0
	SCC080M12NR35	35	83	36	110	M-12	135	3	11,5	15	80	4,5±1,0
	SCC080M12NR45	45	83	36	110	M-12	135	3	11,5	15	130	4,5±1,0
	SCC080M12NR60	60	83	36	110	M-12	135	3	11,5	15	175	4,5±1,0
	SCC080M12NR75	75	83	36	110	M-12	135	3	11,5	15	230	3,5±1,0
	SCC085M10NR35	35	83	31	110	M-10	135	3	15	11,5	125	3,0±0,5
	SCC085M10NR45	45	83	31	110	M-10	135	3	15	11,5	160	3,0±0,5
	SCC085M10NR60	60	83	31	110	M-10	135	3	15	11,5	275	3,0±0,5
	SCC085M10NR65	65	83	31	110	M-10	135	3	15	11,5	300	3,0±0,5
	SCC085M10NR75	75	83	31	110	M-10	135	3	15	11,5	360	3,0±0,5
	SCC085M12NR35	35	83	31	110	M-12	135	3	15	11,5	125	3,0±0,5
	SCC085M12NR45	45	83	31	110	M-12	135	3	15	11,5	160	3,0±0,5
	SCC085M12NR60	60	83	31	110	M-12	135	3	15	11,5	275	3,0±0,5
	SCC085M12NR65	65	83	31	110	M-12	135	3	15	11,5	300	3,0±0,5
	SCC085M12NR75	75	83	31	110	M-12	135	3	15	11,5	360	3,0±0,5
	SCC095M10NR35	35	92	34	123	M-10	150	3	10,0	15	200	5,0±1,0
	SCC095M10NR45	45	92	34	123	M-10	150	3	10,0	15	300	5,0±1,0
	SCC095M10NR60	60	92	34	123	M-10	150	3	10,0	15	600	5,0±1,0
	SCC095M10NR75	75	92	34	123	M-10	150	3	10,0	15	900	5,0±1,0
	SCC095M12NR35	35	92	34	123	M-12	150	3	10,0	15	200	5,0±1,0
	SCC095M12NR45	45	92	34	123	M-12	150	3	10,0	15	300	5,0±1,0
	SCC095M12NR60	60	92	34	123	M-12	150	3	10,0	15	600	5,0±1,0
	SCC095M12NR75	75	92	34	123	M-12	150	3	10,0	15	900	5,0±1,0
	SCC110M12NR35	35	106	41	143	M-12	169	3	12,5	19	200	7,0±1,0
	SCC110M12NR45	45	106	41	143	M-12	169	3	12,5	19	340	7,0±1,0
	SCC110M12NR60	60	106	41	143	M-12	169	3	12,5	19	420	7,0±1,0
	SCC110M12NR65	65	106	41	143	M-12	169	3	12,5	19	425	5,0±1,0
	SCC110M12NR75	75	106	41	143	M-12	169	3	12,5	19	800	5,0±1,0
	SCC110M16NR35	35	106	41	143	M-16	169	3	12,5	19	200	7,0±1,0
	SCC110M16NR45	45	106	41	143	M-16	169	3	12,5	19	340	7,0±1,0
	SCC110M16NR60	60	106	41	143	M-16	169	3	12,5	19	420	7,0±1,0
	SCC110M16NR65	65	106	41	143	M-16	169	3	12,5	19	425	5,0±1,0
	SCC110M16NR75	75	106	41	143	M-16	169	3	12,5	19	800	5,0±1,0
	SCC125M12NR35	35	125	43,5	156	M-12	192	4	20	14,5	160	4,0±1,0
	SCC125M12NR45	45	125	43,5	156	M-12	192	4	20	14,5	450	4,0±1,0
	SCC125M12NR60	60	125	43,5	156	M-12	192	4	20	14,5	750	4,0±1,0
	SCC125M12NR75	75	125	43,5	156	M-12	192	4	20	14,5	900	4,0±1,0
	SCC125M16NR35	35	125	43,5	156	M-16	192	4	20	14,5	160	4,0±1,0
	SCC125M16NR45	45	125	43,5	156	M-16	192	4	20	14,5	450	4,0±1,0
	SCC125M16NR60	60	125	43,5	156	M-16	192	4	20	14,5	750	4,0±1,0
	SCC125M16NR75	75	125	43,5	156	M-16	192	4	20	14,5	900	4,0±1,0
	SCC150M12NR35	35	150	54	182	M-12	218	4	18	14	450	9,0±1,5
SCC150M12NR45	45	150	54	182	M-12	218	4	18	14	600	9,0±1,5	
SCC150M12NR60	60	150	54	182	M-12	218	4	18	14	800	8,0±1,5	
SCC150M12NR65	65	150	54	182	M-12	218	4	18	14	1000	8,0±1,5	
SCC150M12NR75	75	150	54	182	M-12	218	4	18	14	1000	6,0±1,5	
SCC150M16NR35	35	150	54	182	M-16	218	4	14,0	18	450	9,0±1,5	
SCC150M16NR45	45	150	54	182	M-16	218	4	14,0	18	600	9,0±1,5	
SCC150M16NR60	60	150	54	182	M-16	218	4	14,0	18	800	8,0±1,5	
SCC150M16NR65	65	150	54	182	M-16	218	4	14,0	18	1000	8,0±1,5	
SCC150M16NR75	75	150	54	182	M-16	218	4	14,0	18	1000	6,0±1,5	
SCC155M16NR35	35	150	50	182	M-16	218	4	14,0	18	550	6,0±1,0	
SCC155M16NR45	45	150	50	182	M-16	218	4	14,0	18	720	6,0±1,0	
SCC155M16NR60	60	150	50	182	M-16	218	4	14,0	18	1320	6,0±1,0	
SCC155M16NR65	65	150	50	182	M-16	218	4	14,0	18	1430	6,0±1,0	
SCC155M16NR75	75	150	50	182	M-16	218	4	14,0	18	1800	6,0±1,0	

SCCQ

SCC150M16QNR35	35	150	54	132	M-16	170	4	14,5	17	450	9,0±1,5
SCC150M16QNR45	45	150	54	132	M-16	170	4	14,5	17	600	9,0±1,5
SCC150M16QNR60	60	150	54	132	M-16	170	4	14,5	17	800	8,0±1,5
SCC150M16QNR65	65	150	54	132	M-16	170	4	14,5	17	1000	8,0±1,5
SCC150M16QNR75	75	150	54	132	M-16	170	4	14,5	17	1000	6,0±1,5
SCC155M16QNR35	35	150	50	132	M-16	170	4	14,5	17	550	6,0±1,0
SCC155M16QNR45	45	150	50	132	M-16	170	4	14,5	17	720	6,0±1,0
SCC155M16QNR60	60	150	50	132	M-16	170	4	14,5	17	1320	6,0±1,0
SCC155M16QNR65	65	150	50	132	M-16	170	4	14,5	17	1430	6,0±1,0
SCC155M16QNR75	75	150	50	132	M-16	170	4	14,5	17	1800	6,0±1,0
SCC160M16QNR35	35	161	58	140	M-16	170	4	14	14	800	7,0±1,0
SCC160M16QNR45	45	161	58	140	M-16	170	4	14	14	900	7,0±1,0
SCC160M16QNR50	50	161	58	140	M-16	170	4	14	14	1500	7,0±1,0
SCC160M16QNR60	60	161	58	140	M-16	170	4	14	14	1700	7,0±1,0
SCC160M16QNR75	75	161	58	140	M-16	170	4	14	14	2000	7,0±1,0
SCC160M20QNR35	35	161	58	140	M-20	170	4	14	14	800	7,0±1,0
SCC160M20QNR45	45	161	58	140	M-20	170	4	14	14	900	7,0±1,0
SCC160M20QNR50	50	161	58	140	M-20	170	4	14	14	1500	7,0±1,0
SCC160M20QNR60	60	161	58	140	M-20	170	4	14	14	1700	7,0±1,0
SCC160M20QNR75	75	161	58	140	M-20	170	4	14	14	2000	7,0±1,0
SCC180M20QNR35	35	180	66	150	M-20	190	5	21	18,5	1000	7,0±1,0
SCC180M20QNR45	45	180	66	150	M-20	190	5	21	18,5	1120	7,0±1,0
SCC180M20QNR50	50	180	66	150	M-20	190	5	21	18,5	1750	7,0±1,0
SCC180M20QNR60	60	180	66	150	M-20	190	5	21	18,5	2240	7,0±1,0
SCC180M20QNR65	65	180	66	150	M-20	190	5	21	18,5	2650	6,0±1,0
SCC180M20QNR75	75	180	66	150	M-20	190	5	21	18,5	3000	6,0±1,0
SCC181M20QNR35	35	180	86	150	M-20	190	5	21	18,5	900	12,0±1,5
SCC181M20QNR45	45	180	86	150	M-20	190	5	21	18,5	1200	12,0±1,5
SCC181M20QNR60	60	180	86	150	M-20	190	5	21	18,5	1800	12,0±1,5
SCC181M20QNR65	65	180	86	150	M-20	190	5	21	18,5	2500	12,0±1,5
SCC181M20QNR75	75	180	86	150	M-20	190	5	21	18,5	3100	12,0±1,5
SCC182M20QNR35	35	180	86	150	M-20	190	5	21	18,5	1600	12,0±1,5
SCC182M20QNR45	45	180	86	150	M-20	190	5	21	18,5	2400	12,0±1,5
SCC182M20QNR60	60	180	86	150	M-20	190	5	21	18,5	3000	12,0±1,5
SCC182M20QNR65	65	180	86	150	M-20	190	5	21	18,5	4100	12,0±1,5
SCC182M20QNR75	75	180	86	150	M-20	190	5	21	18,5	5000	12,0±1,5
SCC185M20QNR45	45	180	66	160	M-20	190	5	14,5	14,5	1120	7,0±1,0
SCC185M20QNR60	60	180	66	160	M-20	190	5	14,5	14,5	2240	7,0±1,0
SCC185M20QNR75	75	180	66	160	M-20	190	5	14,5	14,5	3000	6,0±1,0
SCC220M24QNR45	45	224	105	180	M-24	220	4	17,5	17,5	1700	17,0±2,0
SCC220M24QNR60	60	224	105	180	M-24	220	4	17,5	17,5	3400	17,0±2,0
SCC220M24QNR75	75	224	105	180	M-24	220	4	17,5	17,5	5000	15,0±2,0

SCC



SCCQ

