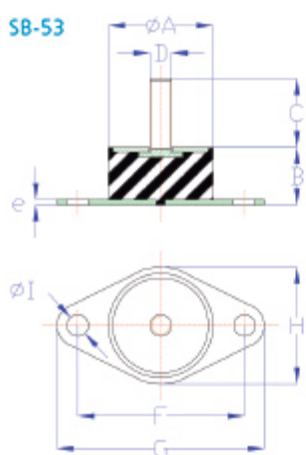


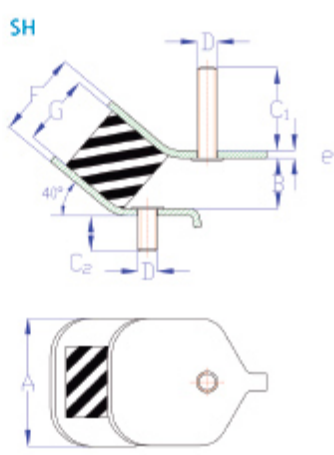
# SB53\_EU

	REF / ART.NR	DIMENTSIOAK										KONPRESIOA	
		ØA	B	D	C	e	F	G	H	I	J	KARGA	GEZI
		mm.										kg.	mm.
SB-53	SB53 NR45	58	32	M-12	33	3	92	115	65	12	.	200	7,0±1,0
	SB53 NR60	58	32	M-12	33	3	92	115	65	12	.	500	7,0±1,0
	SB53 NR75	58	32	M-12	33	3	92	115	65	12	.	1000	7,0±1,0
	REF / ART.NR	DIMENTSIOAK										KONPRESIOA	
		A	B	D	C1	C2	e	α	F	G	KARGA	GEZI	
		mm.										kg.	mm.
SH	SH53 NR45	54	21	M-08	35	15	3	40°	36	30	.	40	9,0±1,0
	SH53 NR60	54	21	M-08	35	15	3	40°	36	30	.	90	9,0±1,0
	REF / ART.NR	DIMENTSIOAK										KONPRESIOA	
		ØA	B	D	C	e	F	G	H	I	J	KARGA	GEZI
		mm.										kg.	mm.
SB	SB35 NR45	30	25	M-08	20	1,5	67	90	55	13	9	50	4,5±1,0
	SB35 NR60	30	25	M-08	20	1,5	67	90	55	13	9	100	4,5±1,0
	SB45 NR45	40	35	M-08	20	1,5	67	90	55	13	9	90	7,0±1,0
	SB45 NR60	40	35	M-08	20	1,5	67	90	55	13	9	200	7,0±1,0
SBH	SBH35 NR45	30	25	M-08	.	1,5	67	90	55	13	9	50	4,5±1,0
	SBH35 NR60	30	25	M-08	.	1,5	67	90	55	13	9	100	4,5±1,0
	SBH45 NR45	40	35	M-08	.	1,5	67	90	55	13	9	90	7,0±1,0
	SBH45 NR60	40	35	M-08	.	1,5	67	90	55	13	9	200	7,0±1,0

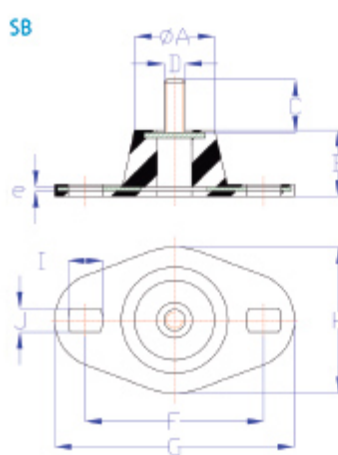
SB-53



SH



SB



SBH

