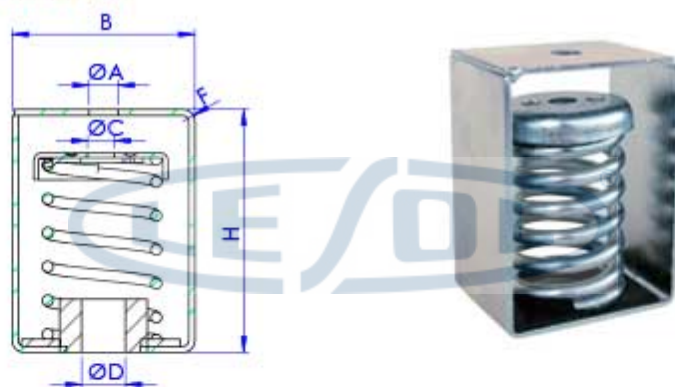


TM_FR

| | REF / ART.NR | DIMENSIONS | | | | | | COMPRESSION | | RIGIDITE |
|----|--------------|------------|----|-----|----|----|----|-------------|--------|----------|
| | | B | F | H | ØA | ØD | ØC | CHARGE | FLECHE | |
| | | mm. | | | | | | kg. | mm. | kg./cm |
| TM | TM25 | 75 | 55 | 100 | 12 | 18 | 11 | 25 | 24±3,0 | 10,42 |
| | TM50 | 75 | 55 | 100 | 12 | 18 | 11 | 50 | 24±3,0 | 20,83 |
| | TM75 | 75 | 55 | 100 | 12 | 18 | 11 | 75 | 24±3,0 | 31,25 |
| | TM100 | 75 | 55 | 100 | 12 | 18 | 11 | 100 | 24±3,0 | 41,67 |
| | TM125 | 75 | 55 | 100 | 12 | 18 | 11 | 125 | 24±3,0 | 52,08 |
| | TM150 | 120 | 75 | 160 | 16 | 30 | 15 | 150 | 35±4,0 | 42,86 |
| | TM200 | 120 | 75 | 160 | 16 | 30 | 15 | 200 | 35±4,0 | 57,14 |
| | TM250 | 120 | 75 | 160 | 16 | 30 | 15 | 250 | 35±4,0 | 71,43 |
| | TM350 | 120 | 75 | 160 | 16 | 30 | 15 | 350 | 35±4,0 | 100,00 |
| TV | TM450 | 120 | 75 | 160 | 16 | 30 | 15 | 450 | 35±4,0 | 128,57 |
| | TM550 | 120 | 75 | 160 | 16 | 30 | 15 | 550 | 35±4,0 | 157,14 |
| | TV10 | | | | | | | 10 | 30±3,0 | 3,33 |
| | TV20 | | | | | | | 20 | 20±2,0 | 10,00 |
| | TV30 | | | | | | | 30 | 20±2,0 | 15,00 |
| | TV40 | | | | | | | 40 | 20±2,0 | 20,00 |

Sustainer TM



Sustainer TV

