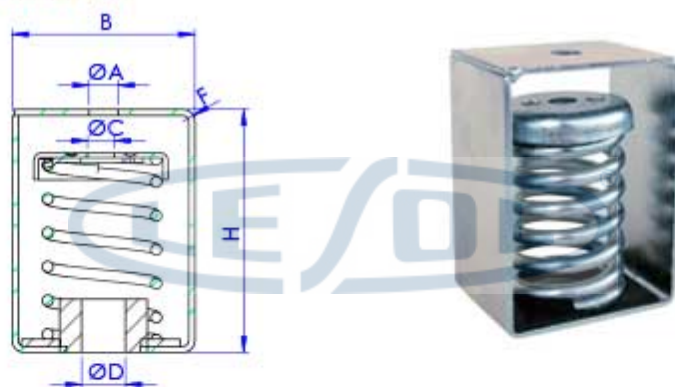


## SUSTAINERS\*\*SUSPENSIÓN DE MUELLE PARA TECHO\*\*SUSTAINER TM/TV

	REF / ART.NR	DIMENSIONES						COMPRESIÓN		CONSTANTE
		B	F	H	ØA	ØD	ØC	CARGA	FLECHA	
		mm.						kg.	mm.	kg./cm
TM	TM25	75	55	100	12	18	11	25	24±3,0	10,42
	TM50	75	55	100	12	18	11	50	24±3,0	20,83
	TM75	75	55	100	12	18	11	75	24±3,0	31,25
	TM100	75	55	100	12	18	11	100	24±3,0	41,67
	TM125	75	55	100	12	18	11	125	24±3,0	52,08
	TM150	120	75	160	16	30	15	150	35±4,0	42,86
	TM200	120	75	160	16	30	15	200	35±4,0	57,14
	TM250	120	75	160	16	30	15	250	35±4,0	71,43
	TM350	120	75	160	16	30	15	350	35±4,0	100,00
TV	TM450	120	75	160	16	30	15	450	35±4,0	128,57
	TM550	120	75	160	16	30	15	550	35±4,0	157,14
	TV10							10	30±3,0	3,33
	TV20							20	20±2,0	10,00
	TV30							30	20±2,0	15,00
	TV40							40	20±2,0	20,00

Sustainer TM



Sustainer TV

