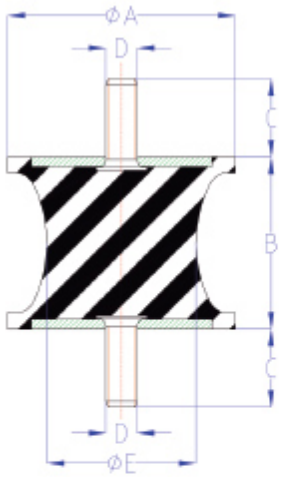


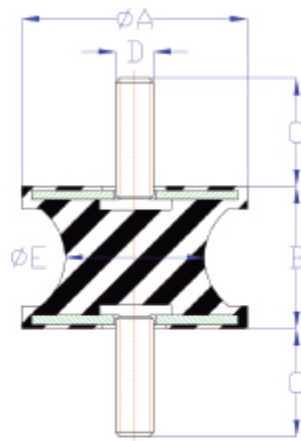
DIABOLOS_EN

	REF / ART.NR		DIMENSIONS						COMPRESSION		SHEAR	
		Sh	ØA	B	ØE	D	C	I	LOAD	DEFLECTION	LOAD	DEFLECTION
			mm.						kg.	mm.	kg.	mm.
SR-N	SR00N	60	20	19	13	M-06	15		12	4,0±1,0	2	4,0±0,5
	SR0NM8	50	40	28	20	M-08	30		40	5,5±1,0	7	5,5±1,0
	SR0N	50	40	28	20	M-10	25		40	5,5±1,0	7	5,5±1,0
	SR1N	50	58	44	24	M-08	20		70	8,5±1,0	10	8,5±1,0
	SR2N	50	58	44	38	M-08	20		130	8,5±1,0	25	8,5±1,0
	SR4N	50	60	60	48	M-10	25		150	10,0±1,0	20	12,0±1,5
	SR5N	50	80	70	68	M-14	35		350	14,0±1,5	65	14,0±1,5
	SR6N	50	95	76	76	M-16	42		450	15,0±2,0	75	15,0±2,0
	SR7N	50	108	75	97	M-16	42		600	15,0±2,0	140	15,0±2,0
SR8N	50	130	85	117	M-16	42		900	17,0±2,0	185	17,0±2,0	
T	3376	60	30	25	24	M-08	20		60	5,0±1,0	8	5,0±1,0
	3230	60	60	36	37	M-10	25		250	7,0±1,0	40	7,0±1,0
	3231	60	60	43	38	M-10	25	.	250	9,0±1,0	30	9,0±1,0
MR-N	MR0NM8	50	40	28	20	M-08	30	6	40	5,5±1,0	7	5,5±1,0
	MR0N	50	40	28	20	M-10	25	7	40	5,5±1,0	7	5,5±1,0
	MR2N	50	57	44	38	M-08	25	6	130	8,5±1,0	25	8,5±1,0
	MR4N	50	60	60	48	M-10	25	7	150	10,0±1,0	20	10,0±1,0
	MR5N	50	80	70	68	M-14	35	9	350	14,0±1,5	65	14,0±1,5
	MR6N	50	95	76	76	M-16	42	14	450	15,0±2,0	75	15,0±2,0
	MR7N	50	108	75	97	M-16	42	14	600	15,0±2,0	140	15,0±2,0
	MR8N	50	130	85	117	M-16	42	14	900	17,0±2,0	185	17,0±2,0
HR-N	HR0NM8	50	40	28	20	M-08		6	40	5,5±1,0	7	5,5±1,0
	HR0N	50	40	28	20	M-10		7	40	5,5±1,0	7	5,5±1,0
	HR2N	50	57	44	38	M-08		6	130	8,5±1,0	25	8,5±1,0
	HR4N	50	60	60	48	M-10		7	150	10,0±1,0	20	12,0±1,0
	3617	60	70	58	52	M-12		10	350	11,0±1,0	70	11,0±1,0
	3356	60	80	65	72	M-12		8,5	600	13,0±1,5	120	13,0±1,5
	HR5N	50	80	70	68	M-14		9	350	14,0±1,5	65	14,0±1,5
	3866RED	60	90	52	82	M-12		8,5	850	10,0±1,0	170	10,0±1,0
	3866	60	90	80	79	M-12		8,5	750	16,0±2,0	130	16,0±1,5
	HR6N	50	95	76	76	M-16		14	450	15,0±2,0	75	15,0±2,0
	3867	60	105	85	91	M-14		11	1200	17,0±2,0	240	17,0±2,0
	HR7N	50	108	75	97	M-16		14	600	15,0±2,0	140	15,0±2,0
	HR8N	50	130	85	117	M-16		14	900	17,0±2,0	185	17,0±2,0
	3868	60	130	95	117	M-16		14	1800	19,0±2,0	320	19,0±2,0
R-N	R 4-N	50	60	57	48	M-10	25		150	10,0±1,0		
	R 5-N	50	80	65	68	M-14	35		350	14,0±1,5		
	R 6-N	50	95	73	76	M-16	42		450	15,0±2,0		
TH-N	TH 4-N	50	60	58	48	M-10		7	150	10,0±1,0		
	TH 5-N	50	80	65	68	M-14		9	350	14,0±1,5		
	TH 6-N	50	95	73	76	M-16		14	450	15,0±2,0		

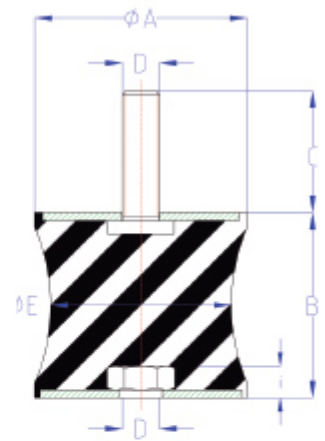
SR-N



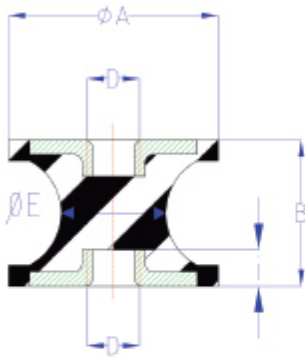
T



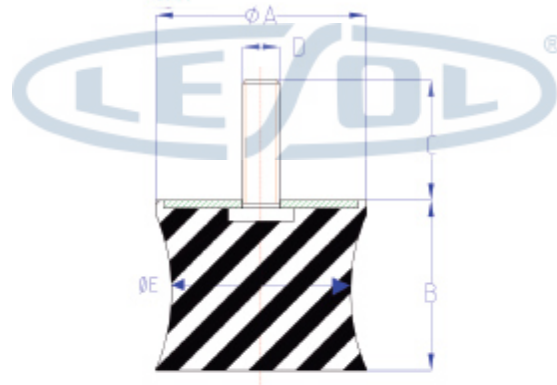
MR-N



HR-N



R-N



TH-N

