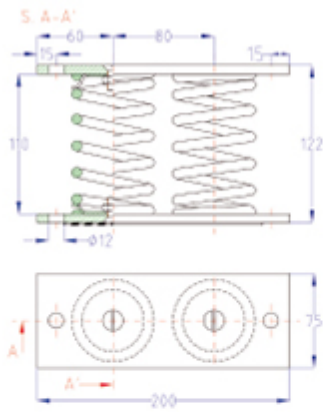


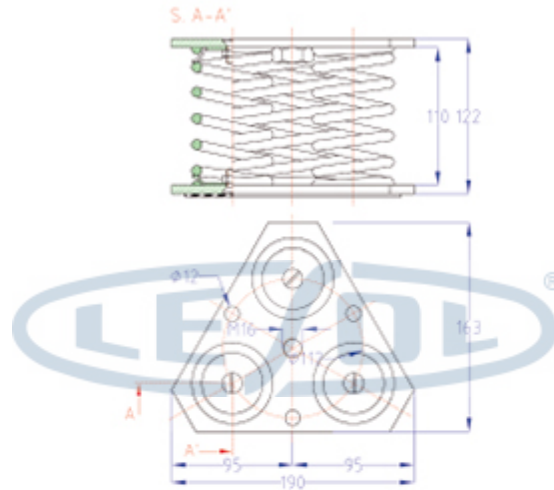
FEDERSCHWINGUNGSDÄMPFER**MEHRFACH-FEDERSCHWINGUNGSDÄMPFER**2M/3M/4M-INOX (300-2200KG)

	REF / ART.NR	LAST	FEDERWEG	STEIFIGKEIT
		kg.	mm.	kg./cm
2M-INOX	2M 300-INOX	300	30±3,0	100,00
	2M 400-INOX	400	30±3,0	130,33
	2M 500-INOX	500	30±3,0	166,67
	2M 700-INOX	700	30±3,0	233,33
3M-INOX	3M 450-INOX	450	30±3,0	150,00
	3M 600-INOX	600	30±3,0	200,00
	3M 750-INOX	750	30±3,0	250,00
	3M 1050-INOX	1050	30±3,0	350,00
4M-INOX	4M 600-INOX	600	30±3,0	200,00
	4M 800-INOX	800	30±3,0	266,67
	4M 1000-INOX	1000	30±3,0	333,33
	4M 1400-INOX	1400	30±3,0	466,67

2M



3M



4M

